

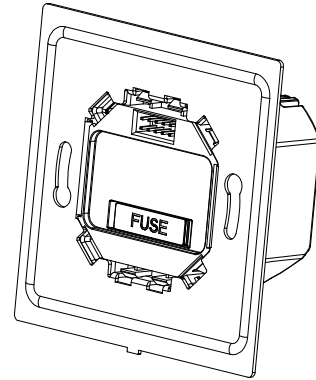
Parameter

| Electric Parameters: | |
|---------------------------|---|
| Working power | AC85-270V |
| Frequency | 50/60Hz |
| Output | 3 channels |
| Output current | 1A/CH Total current should not exceed 2A |
| Fuse | 4A , aR type , |
| Terminal | Wago 236 |
| Environmental Conditions: | |
| Working temperature | -5°C~45°C |
| Working relate Humidity | Up to 90% |
| Storage Temperature | -20°C~+60°C |
| Storage relative Humidity | Up to 93% |
| Approved: | |
| CE | |
| RoHS | |
| Production Information: | |
| Dimension | 83.5×83.5×36.8(mm) |
| Weight | 128g |
| Housing material | Inflaming retarding Nylon |
| Installation | GI Wall-BOX |
| Protection degree | IP20 |

Installation Step

- Make sure the load supports dimming, and the current does not exceed 1A.
- Connect power supply cable.
- Make sure the lamps meet the minimum load power requirement, 30W. If the connected load is less than 30W, it needs to connect the constant current module in parallel to provide enough working current for panel.
- Connect load cable to three output terminals.
- Make sure there is no short circuit.
- Use screw fixation HDL-MPWPI03.18 in GI wall-BOX.
- Put the wireless device into wireless power interface.

Overview



HDL-MPWPI03.18 wireless power interface, which supplies DC5V power for wireless panel. It has the function of dimming and switch.

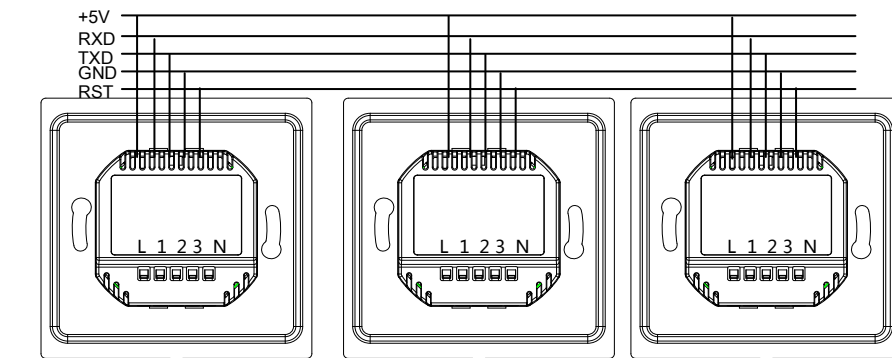
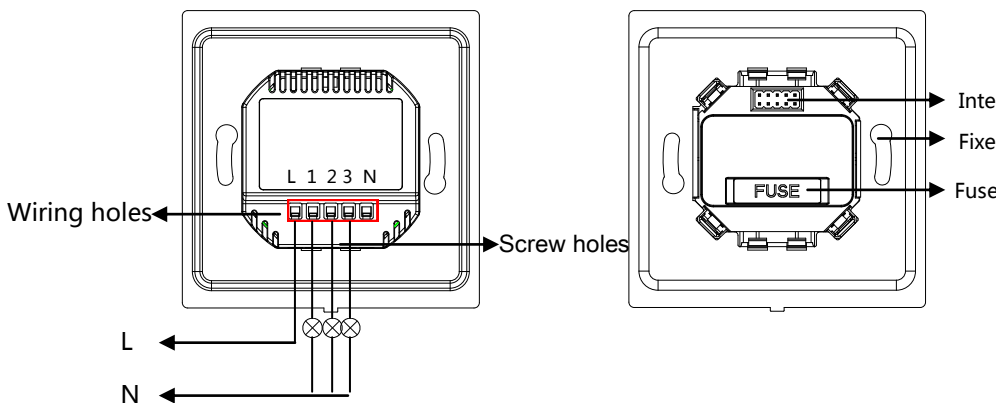
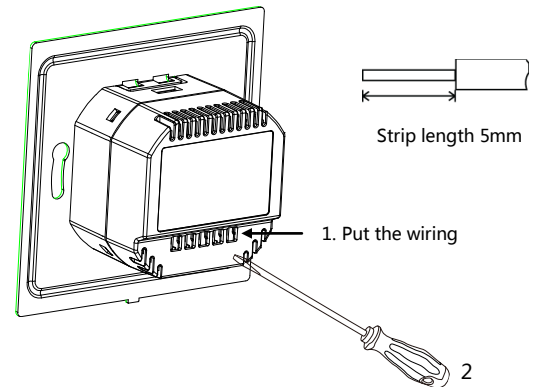
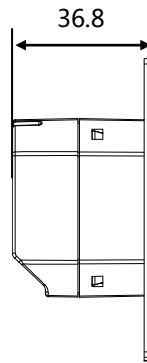
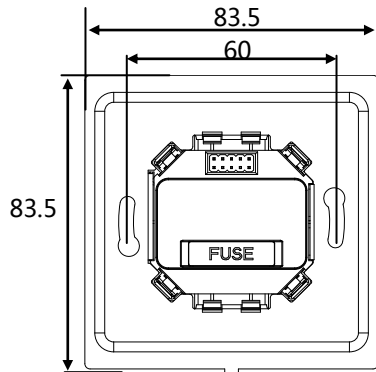
Functions

- Supplies DC5V power for wireless panels.
- 1CH MOSFET Dimmer Dimming/Switch
- 2CH TRIAC Dimming/Switch
- Short circuit protection
- Over heating protection

Important Notes

- The module must work with other wireless devices
- Each channel output current is 1A, total current does not exceed 2A.
- The channel 1 cannot connect these load types: transformer, fan, inductive ballast lamp, and dimming, etc.
- It cannot make sure that dims all kinds of lamps, but it can control all switches.
- Recommend channel 1 load types: electronic transformer, LED Driver. It can reduce noise in dimming mode
- Fuse must be aR type, and current does not exceed 4A.

Layout and Wiring



Wiring steps:

1. Put the wires into the wiring holes.
2. Insert a slotted screwdriver into the screw holes, and then tighten the screws.

Loads requirements

1. To provide working voltage for the devices, channel 1 must be connected to the load.
2. Recommended loads for channel 1: Electronic transformer, LED driver etc. It can reduce the noise in dimming mode. Inductive load is not allowed.
3. Channel 2 and 3 are Triac dimming.

Multiple wireless power interface can be in parallel, then the panel (such as DLP) can control all channels. Shown as above, the terminal connection should avoid any mistakes.

Safety attention

- Each channel output current is 1A, total current does not exceed 2A.
- The device cannot switch off the load completely. During overhauling or replacing the lamps and fuses, the device must be cut the AC power supply.
- Fuse must be aR type, and current does not exceed 4A
- The channel 1 is forbidden to connect to inductive load.
- Ensure good ventilation
- Avoid contact with liquids and aggressive gases